

**IMMUNOLOGICAL
SCIENCES**



Cell Biology



Catalogue 2026

INDEX

CELL BIOLOGY CATALOGUE 2026

FETAL BOVINE SERA	1
CELL CULTURE MEDIA	1-2
SALT SOLUTION, BUFFERS & SUPPLEMENTS	3
CELL CULTURE REAGENTS & OTHER REAGENTS	4-5
CRYOPRESERVATION FREEZING MEDIA (ANIMAL FREE)	5
SERUM FREE MEDIA	5
REMOVAL REAGENTS	5
TRANSFECTION REAGENTS & LIPOFECTAMINE	5
MATRIXGEL	6
DIAGNOSTICS CE-IVD	6
COLORIMETRIC ASSY KITS FOR APOPTOSIS, CELL PROLIFERATION & CYTOXICITY	7
FLUORESCENCE MICROSCOPY ASSAY KITS & REAGENTS FOR APOPTOSIS & CELL PROLIFERATION CYTOXICITY	8
RECOMBINANT PROTEINS	
GROWTH FACTORS, CYTOKINES & CHEMOKINES RECOMBINANT - HUMAN	9-20
GROWTH FACTORS, CYTOKINES & CHEMOKINES RECOMBINANT - MOUSE	21-25
GROWTH FACTORS, CYTOKINES & CHEMOKINES RECOMBINANT -RAT	26-27
PLASTIC CONSUMABLES FOR CELL BIOLOGY	
CELL CULTURE FLASKS	28
CELL CULTURE DISHES	29
CELL CULTURE PLATES	30
CONFOCAL DISHES	31
CHAMBER SLIDES	32
SEROLOGICAL PIPETTES	33
ELECTRONIC PIPETTE	34

FETAL BOVINE SERUM

CAT.#	DESCRIPTION	SIZE
EU-015-500	Fetal Bovine Serum Plus (South America) Triple Filtered 0.1 µm Sterile	500 ml
EU-001-500	Fetal Bovine Serum (Embryonic Stem Cell tested) (South America)	500 ml
EU-006-500	Fetal Bovine Serum (USA origin) Gold Triple Filtered 0.1 µm Sterile	500 ml
EU-000-500	Fetal Bovine Serum (South America) EU approved Filtered 0.2 µm	500 ml

CELL CULTURE MEDIA

CAT.#	DESCRIPTION	SIZE
ISL0042-500	BME w/ Earle's Salts w/o L-Glutamine	500ml
ISL0060-500	DMEM Low Glucose w/ L-Glutamine w/ Sodium Pyruvate	500ml
ISL0064-500	DMEM Low Glucose w/o L-Glutamine w/ Sodium Pyruvate	500ml
ISL0065-500	DMEM Low Glucose w/ L-Glutamine w/ Sodium Pyruvate w/ 25 mM Hepes -	500ml
ISL0066-500	DMEM Low Glucose w/ Stable Glutamine w/ Sodium Pyruvate	500ml
ISL0100-500	DMEM High Glucose w/o L-Glutamine w/ 25mM Hepes w/o Sodium Pyruvate	500ml
ISL0101-500	DMEM High Glucose w/o L-Glutamine w/o Sodium Pyruvate	500ml
ISL0102-500	DMEM High Glucose w/ L-Glutamine w/o Sodium Pyruvate	500ml
ISL0103-500	DMEM High Glucose w/ stable Glutamine w/ Sodium Pyruvate	500ml
ISL0104-500	DMEM High Glucose w/ L-Glutamine w/ Sodium Pyruvate	500ml
ISL0106-500	DMEM High Glucose w/o L-Glutamine w/ Sodium Pyruvate	500ml
ISL0107-500	DMEM High Glucose w/ stable Glutamine w/ 25mM Hepes w/o Sodium Pyruvate	500ml
ISL0090-500	DMEM - F12 w/o L- Glutamine w/o Hepes	500ml
ISL0091-500	DMEM - F12 w/o L-Glutamine w/o Hepes w/o Glucose	500ml
ISL0092-500	DMEM - F12 w/ stable Glutamine w/ 15 mM Hepes	500ml
ISL0093-500	DMEM - F12 w/ L-Glutamine w/ 15 mM Hepes	500ml
ISL0094-500	DMEM - F12 w/o L-Glutamine w/ 15 mM Hepes	500ml
ISL0095-500	DMEM - F12 w/ L-Glutamine w/ 25 mM Hepes	500ml
ISL0096-500	DMEM - F12 w/o L-Glutamine w/ 25 mM Hepes	500ml
ISS6010-500	FreeAdd 1X - 500ml	500ml
ISL0135-500	Ham's F12 w/ L-Glutamine	500ml
ISL0136-500	Ham's F12 w/o L-Glutamine	500ml
ISL0140-500	Ham's F10 w/ L-Glutamine	500ml
ISL0145-500	Ham's F10 w/o L-Glutamine	500ml

CELL CULTURE MEDIA

CAT.#	DESCRIPTION	SIZE
ISL0221-500	Glasgow MEM BHK 21 w/ L-Glutamine w/o Tryptose Phosphate Broth	500ml
ISL0300-500	Leibovitz L15 Medium w/o L-Glutamine	500ml
ISL0210-500	McCoy's 5A w/ L-Glutamine	500ml
ISL0211-500	McCoy's 5A w/o L-Glutamine	500ml
ISL0330-500	Medium 199 w/ Hanks' Salts w/ L-Glutamine	500ml
ISL0355-500	Medium 199 w/ Earle's Mod. Salts w/ L-Glutamine w/ 1.25g/l Sodium Bicarbonate	500ml
ISL0356-500	Medium 199 w/ Earle's Salts w/o L-Glutamine	500ml
ISL0361-500	Medium 199 w/ Earle's Salts w/ Stable Glutamine w/ 25 mM Hepes	500ml
ISL0415-500	MEM w/ Earle's Salts w/ L-Glutamine	500ml
ISL0416-500	MEM w/ Earle's Salts w/ stable Glutamine	500ml
ISL0430-500	MEM w/ Earle's Salts w/o L-Glutamine w/ NEAA	500ml
ISL0440-500	MEM w/ Earle's Salts w/o L-Glutamine	500ml
ISL0444-500	MEM w/ Earle's Salts w/ L-Glutamine w/ 25 mM Hepes	500ml
ISL0445-500	MEM w/ Earle's Salts w/o L-Glutamine w/ 25 mM Hepesl	500ml
ISL0465-500	MEM w/ Hanks' Salts Solution w/o L-Glutamine	500ml
ISL0470-500	MEM w/ Hanks' Salts w/o L-Glutamine w/ 25 mM Hepes -	500ml
ISL0475-500	MEM Alpha w/ L-Glutamine w/o Ribonucleosides w/o Deoxyribonucleosides	500ml
ISL0476-500	MEM Alpha w/o L-Glutamine w/o Ribonucleosides w/o Deoxyribonucleosides	500ml
ISL151223	Neurobasal medium	500mL
ISL0490-500	RPMI 1640 w/o L-Glutamine w/ 25 mM Hepes	500ml
ISL0492-500	RPMI 1640 Dutch Modification w/o L-Glutamine w/ 1g/l Sodium Bicarbonate w/20mM Hepes	500ml
ISL0495-500	RPMI 1640 w/ L-Glutamine w/ 25 mM Hepes - 500ml	500ml
ISL0496-500	RPMI 1640 w/ stable Glutamine w/ 25 mM Hepes - 500ml	500ml
ISL0498-500	RPMI 1640 w/ stable Glutamine - 500ml	500ml
ISL0500-500	RPMI 1640 w/ L-Glutamine - 500ml	500ml
ISL0501-500	RPMI 1640 w/o L-Glutamine - 500ml	500ml
ISL0505-500	RPMI 1640 w/o L-Glutamine w/o Phenol Red - 500ml	500ml
ISX0557-500	MEM non Essential Amino Acids 100X w/o L-Glutamine - 500ml	500ml
ISL0207-500	Schneider's Drosophila Medium	500ml
ISL0970-100	Cell Culture Water Pyrogen free - 100ml	100ml
ISL0970-1000	Cell Culture Water Pyrogen free - 1000ml	1000ml
ISL0970-500	Cell Culture Water Pyrogen free - 500ml	500ml

SALT SOLUTIONS, BUFFERS & SUPPLEMENTS

CAT.#	DESCRIPTION	SIZE
ISL180638	B-27 neuron Supplement, w/o vitamin A, 50 ×	10mL
ISL180637	B-27 neuron Supplement, w/ vitamin A, 50 ×	10mL
ISL180641	N-2 Supplement (100×)	5mL
ISL0605-500	HBSS w/o Calcium w/o Magnesium w/o Sodium Bicarbonate w/o Phenol Red	500ml
ISL0606-500	HBSS w/ Calcium w/ Magnesium w/ Sodium Bicarbonate w/ Phenol Red	500ml
ISL0607-500	HBSS w/o Calcium w/o Magnesium w/ Sodium Bicarbonate w/o Phenol Red	500ml
ISL0611-500	HBSS w/o Calcium w/o Magnesium w/ Sodium Bicarbonate w/ Phenol Red	500ml
ISL0612-500	HBSS w/ Calcium w/ Magnesium w/ Sodium Bicarbonate w/o Phenol Red	500ml
ISX0507-500	HBSS 10X w/o Calcium w/o Magnesium w/o Sodium Bicarbonate w/o Phenol Red	500ml
ISX0509-500	HBSS 10X w/ Calcium w/ Magnesium w/o Sodium Bicarbonate w/ Phenol Red	500ml
ISX0510-500	HBSS 10X w/o Calcium w/o Magnesium w/ Sodium Bicarbonate w/o Phenol Red	500ml
ISX0513-500	HBSS 10X w/o Calcium w/o Magnesium w/o Sodium Bicarbonate w/ Phenol Red	500ml
ISL0615-500	Dulbecco's Phosphate Buffered Saline w/o Calcium w/o Magnesium	500ml
ISL0601-500	Earle's Balanced Salts Solution w/o Calcium w/o Magnesium	500ml
ISX0112-100	Earle's Balanced Salts 10X w/ Calcium w/ Magnesium w/o Sodium Bicarbonate	100ml
ISX0515-500	Dulbecco's Phosphate Buffered Saline 10X w/o Calcium w/o Magnesium	500ml
ISX0520-500	Dulbecco's Phosphate Buffered Saline 10X w/ Calcium w/ Magnesium	500ml
ISL0616-500	Phosphate Buffered Saline w/o Calcium w/o Magnesium	500ml
ISL0680-100	Sodium Bicarbonate 7.5 %	100ml
ISL0640-500	Sodium Chloride Salt Solution 0.85 %	500ml
ISL0642-100	Sodium Pyruvate 100 mM	100ml
ISL0642-500	Sodium Pyruvate 100 mM	500ml
ISL0643-100	Potassium Chloride 0.075 M	100ml
ISL0643-500	Potassium Chloride 0.075 M	500ml
ISL0180-100	HEPES Buffer 1 M	100ml
ISL0180-500	HEPES Buffer 1 M	500ml
ISL0190-500	IMDM w/ L- Glutamine w/ 25mM Hepes	500ml
ISL0191-500	IMDM w/ stable Glutamine w/ 25mM Hepes	500ml
ISL0192-500	IMDM w/o L-Glutamine w/o Hepes	500ml

CELL CULTURE MEDIA & OTHER PRODUCTS

CAT.#	DESCRIPTION	SIZE
ISL0009-020	Amphotericin B 100X	20ml
ISL0009-050	Amphotericin B 100X	50ml
ISL0009-100	Amphotericin B 100X	100ml
ISL0010-020	Antibiotic-Antimycotic 100X	20ml
ISL0010-100	Antibiotic-Antimycotic 100X	100ml
ISB-62101-100GR	Bovine Serum Albumin Lyophilised pH~7 for Cell Culture	100g
ISB-62105-500GR	Bovine Serum Albumin Lyophilised pH~7 for Cell Culture	500g
ISB-62105-1000GR	Bovine Serum Albumin Lyophilised pH~7 for Cell Culture	1 Kg
ISA0296-1000	Bovine Serum Albumin 30%	1000ml
ISA0296-100	Bovine Serum Albumin 30%	100ml
ISA0296-500	Bovine Serum Albumin 30%	500ml
ISS1501-100	Bovine Serum Albumin Fraction V	100g
ISS1501-100	Bovine Serum Albumin Fraction V	100g
ISS1501-500	Bovine Serum Albumin Fraction V	500g
ISS1501-1000	Bovine Serum Albumin Fraction V	1Kg
ISL0011-010	Gentamicin Sulfate 10 mg/ml	10ml
ISL0011-100	Gentamicin Sulfate 10 mg/ml	100ml
ISL0012-010	Gentamicin Sulfate 50 mg/ml	10ml
ISL0012-100	Gentamicin Sulfate 50 mg/ml	100ml
ISL0014-100	Glutamine-Penicillin-Streptomycin 100X	100ml
ISL0015-020	G-418 (Geneticin) Solution	20ml
ISL0015-100	G-418 (Geneticin) Solution	100ml
IS0126-10	Hygromycin B Solution, 50 mg/mL	10mL
ISL0018-100	Penicillin-Streptomycin -	100ml
ISL0022-020	Penicillin-Streptomycin Solution 100X	20ml
ISL0022-100	Penicillin-Streptomycin Solution 100X	100ml
ISL0040-010	Colcemid 10 µg/ml in PBS (Demecolcin)	10ml
ISL0040-020	Colcemid 10 µg/ml in PBS (Demecolcin)	20ml
ISL0040-050	Colcemid 10 µg/ml in PBS (Demecolcin)	50ml
ISL0950-100	Accutase	100ml
IS0523-10	Poly-L-Lysine Solution, 10 ×	10mL
ISL3020-005	Phytohaemagglutinin P (PHA-P) liquid	5ml
ISL0910-100	Trypsin 0.25 % in PBS w/o Calcium w/o Magnesium w/o Phenol Red	100ml
ISL0930-100	Trypsin-EDTA 1X in solution w/o Calcium w/o Magnesium w/ Phenol Red	100ml

CAT.#	DESCRIPTION	SIZE
ISL0940-100	Trypsin-EDTA 1X in PBS w/o Calcium w/o Magnesium w/o Phenol Red	100ml
ISX0915-100	Trypsin 2.5 % in PBS w/o Calcium w/o Magnesium w/o Phenol Red	100ml
ISX0920-100	Trypsin 2.5 % in HBSS w/o Calcium w/o Magnesium w/o Phenol Red	100ml
ISX0930-100	Trypsin-EDTA 10X	100ml
ISX0550-100	L-Glutamine 100X. 200mM	100ml
ISX0550-500	L-Glutamine 100X. 200mM	500ml
ISL0560-100	Lymphosep. Lymphocyte Separation Media	100ml
ISL0560-500	Lymphosep. Lymphocyte Separation Media	500ml
IS-1077-100	Ficoll Paque 1077 (Histopaque)	100ml
IS-1077-500	Ficoll Paque 1077 (Histopaque)	500ml

CRYOPRESERVATION FREEZING MEDIA (ANIMAL FREE)

Cat.n.	Description	Size
A180438	Cryopreservation Freezing Media (animal free)	5x10 ml
B180438	Cryopreservation Freezing Media (animal free)	50ml
C180438	Cryopreservation Freezing Media (animal free)	100ml

SERUM FREE MEDIA (NO ANIMAL ORIGIN)

Cat.n.	Description	Size
IS4001_500mL	VERO Serum-Free Medium	500 ml
IS3001_500mL	Hybridoma Serum-Free Medium	500 ml
IS2003_10mL	CHO Serum-Free Feed B	10ml
IS2002_100ml	CHO Serum-Free Feed A	100ml
IS2001_500mL	CHO Serum-Free Basal Medium	500ml
IS1003_5mL	HEK293 Serum-Free Feed B	5ml
IS1002_50mL	HEK293 Serum-Free Feed A	50ml
IS1001_500mL	HEK293 Serum-Free Basal Medium	500ml

REMOVAL AGENTS

CAT.#	DESCRIPTION	SIZE
IS1901	Mycoplasma Detection Kit Luminescent	20 tests
ISK-X15-005	Mycoplasma Removal Agent (1000X)	5 ml

TRANSFECTION REAGENTS & LIPOFECTAMINE

CAT.#	DESCRIPTION	SIZE
TR-2000	Lipofectamine 2000	0,75ml
TR-3000	Lipofectamine 3000	0,75ml

MATRIXGEL

CAT.#	DESCRIPTION	SIZE
MX0314-5	MatrixGel for Angiogenesis, Invasion, Tumorigenesis, Containing Phenol Red	5 ml
MX0314-10	MatrixGel for Angiogenesis, Invasion, Tumorigenesis, Containing Phenol Red	10 ml
MX1314-5	MatrixGel For Angiogenesis, Invasion, Tumorigenesis, Phenol Red-Free	5 ml
MX1314-10	MatrixGel For Angiogenesis, Invasion, Tumorigenesis, Phenol Red-Free	10 ml
MX2314-5	MatrixGel For Organoids, 3D Culture, Containing Phenol Red	5 ml
MX2314-10	MatrixGel For Organoids, 3D Culture, Containing Phenol Red	10 ml
MX3314-5	MatrixGel For Organoids, 3D Culture, Phenol Red-Free	5 ml
MX3314-10	MatrixGel For Organoids, 3D Culture, Phenol Red-Free	10 ml

DIAGNOSTICS / CE-IVD

Size	Description	Size
AGM-100M	AmnioGrow Medium - CE	100ml
LGM-100	LymphoGrow Medium -CE	100ml
MGM-100	MarrowGrow Medium-CE	100ml
PPM-100	PrenatalGrow Medium - 100ml-CE	100ml

COLORIMETRIC ASSAY KITS FOR APOPTOSIS, CELL PROLIFERATION & CYTOTOXICITY

Cat. N°	Description	Size
IK-11139-25	Alamar Blue (Resazurin) Cell Viability	2500 assays
IK-11139-100	Alamar Blue (Resazurin) Cell Viability	10.000 assays
IK-11133	Cell Counting Kit-8 (CCK-8)	500 tests
IK-11133-1000	Cell Counting Kit-8 (CCK-8)	1000 tests
IK-11133-3000	Cell Counting Kit-8 (CCK-8)	3000 tests
CO-K771-M	LDH Cytotoxicity Assay Kit	500 tests
IK-1310	Lipid Peroxidation MDA Assay Kit (MDA)	100 tests
IK-11127-1000	MTT Cell Proliferation & Cytotoxicity Assay Kit	1000 tests
IK-11127-2500	MTT Cell Proliferation & Cytotoxicity Assay Kit	2500 tests
IS32408	Trypan Blue Solution 0.4%	100 ml
IK-86004	XTT Cell Proliferation & Cytotoxicity Assay Kit	1000 tests
IK183	Caspase 1 Activity Assay Kit(Colorimetric Method)	50Assays
IK283	Caspase 2 Activity Assay Kit(Colorimetric Method)	50Assays
IK383	Caspase 3/7 Activity Assay Kit(Colorimetric Method)	50Assays
IK483	Caspase 4 Activity Assay Kit(Colorimetric Method)	50Assays
IK683	Caspase 6 Activity Assay Kit(Colorimetric Method)	50Assays
IK883	Caspase 8 Activity Assay Kit(Colorimetric Method)	50Assays

FLUORESCENCE MICROSCOPY ASSAY KITS & REAGENTS FOR APOPTOSIS & CELL PROLIFERATION CYTOTOXICITY

Cat. N°	Description	Size
ISB0026	7-AAD Viability Staining Solution	400 tests
IK-90314	Annexin V (PI) FITC Kit	100 tests
IK-11150	Annexin V (PI) APC Kit	100 tests
IK-11153	Annexin V (PI) PE Kit	100 tests
IK-90315	Annexin V (7-AAD) FITC Kit	100 tests
IK-90316	Annexin V (7-AAD) APC Kit	100 tests
IK-90317	Annexin V (7-AAD) PE Kit	100 tests
IK-11123	Apoptosis & Necrosis Quantification Kit	50 tests
IK62003	Calcein AM /PI Double Staining Kit LIVE/DEAD Kit	1 KIT(500T)
IK-37831-20	Caspase 3/7 and Annexin V Double Staining Apoptosis Kit	20Assays
IK-37831-100	Caspase 3/7 and Annexin V Double Staining Apoptosis Kit	100Assays
IK-37832-20	Caspase 3/7 and PI Double Staining Kit	20Assays
IK-37832-100	Caspase 3/7 and PI Double Staining Kit	100Assays
IK-37833-20	Caspase 3/7 and DAPI Double Staining Kit	20Assays
IK-37833-100	Caspase 3/7 and DAPI Double Staining Kit	100Assays
IK-153A	Cell Cycle Assay Kit (Red Fluorescence)	100Assays
IK-253A	Cell Cycle Assay Kit (Green Fluorescence)	100Assays
IK-353A	Cell Cycle Assay Kit (Blue Fluorescence)	100Assays
IK-543A-500	CFSE Cell Division Tracker Kit	500Assays
IK-543A-2000	CFSE Cell Division Tracker Kit	2000Assays
IK-673-50	IS-Click Edu Cell Proliferation Imaging Assay (Green, Alexa Fluor 488)	50 Assays
IK-673-200	IS-Click Edu Cell Proliferation Imaging Assay (Green, Alexa Fluor 488)	200 Assays
IK-873-50	IS-Click Edu Cell Proliferation Imaging Assay (Red, Alexa Fluor 647)	50 Assays
IK-873-200	IS-Click Edu Cell Proliferation Imaging Assay (Red, Alexa Fluor 647)	200 Assays
IK-T023-50	One-step TUNEL In Situ Apoptosis Kit (Green, FITC)	50 Assays
IK-T123-50	One-step TUNEL In Situ Apoptosis Kit (Green, Alexa Fluor 488)	50 Assays
IK-T223-50	One-step TUNEL In Situ Apoptosis Kit (Red, Alexa Fluor 594)	50 Assays
IK-T423-50	One-step TUNEL In Situ Apoptosis Kit (Red, Alexa Fluor 647)	50 Assays
IK-T523-50	One-step TUNEL In Situ Apoptosis Kit (Red, Alexa Fluor 555)	50 Assays
ROS-100	Reactive Oxygen Species (ROS) Assay Kit	100~500T

HUMAN RECOMBINANT PROTEINS

CAT.#	Description	Species
GRF01094	Recombinant Human Activin RIIA/ACVR2A Protein	Human
GRF00153	Recombinant Human Activin RIIB/ACVR2B Protein	Human
GRF00978	Recombinant Human ALK-1/ACVRL1 Protein	Human
GRF00074	Recombinant Human ALK-4/ACVR1B Protein	Human
GRF00256	Recombinant Human ALK-7/ACVR1C Protein	Human
GRF00898	Recombinant Human Amphiregulin/AREG Protein	Human
GRF01828	Recombinant Human Angiopoietin-1/ANG-1/ANGPT1(277-498) Protein	Human
GRF02008	Recombinant Human Angiopoietin-2/ANG-2/ANGPT2(275-496) Protein	Human
GRF01773	Recombinant Human Angiopoietin-4/ANG-4/ANGPT4(23-503) Protein	Human
GRF01024	Recombinant Human Angiopoietin-like 3/ANGPTL3(17-220) Protein	Human
GRF02866	Recombinant Human Angiopoietin-like 3/ANGPTL3(17-460) Protein	Human
GRF02179	Recombinant Human Angiopoietin-like 4/ANGPTL4(166-406) Protein	Human
GRF02831	Recombinant Human Angiopoietin-like 8/ANGPTL8 (22-198) Protein	Human
GRF10137LQ	Recombinant Human Atrophin-1 interacting protein 4/ITCH protein	Human
GRF01779	Recombinant Human BCEI/PS2/TFF1 Protein	Human
GRF01700	Recombinant Human Betacellulin/BTC Protein	Human
GRF01792	Recombinant Human Beta-nerve growth factor/NGFB Protein	Human
GRF02512S	Recombinant Human BMP-4 (E399D) Protein	Human
GRF00156	Recombinant Human BMPR-1A/ALK-3/CD292 Protein	Human
GRF01222	Recombinant Human BMPR-1B/ALK-6/CDw293 Protein	Human
GRF01418	Recombinant Human BMPR-2 Protein	Human
GRF01420	Recombinant Human BMPR-2 Protein	Human
GRF00703	Recombinant Human Brain Natriuretic Peptide/NT-proBNP Protein	Human
GRF01728	Recombinant Human Calcitonin/CALCA Protein	Human
GRF01613	Recombinant Human CCL1/I-309 Protein	Human
GRF01635	Recombinant Human CCL11/Eotaxin Protein	Human
GRF01614	Recombinant Human CCL13/MCP-4 Protein	Human
GRF01940	Recombinant Human CCL14/HCC-1/HCC-3 Protein	Human
GRF01985	Recombinant Human CCL14/HCC-1/HCC-3(28-93) Protein	Human
GRF01966	Recombinant Human CCL15/MIP-5/HCC-2 Protein	Human
GRF00315	Recombinant Human CCL17/TARC Protein	Human
GRF01374	Recombinant Human CCL17/TARC Protein	Human
GRF02962	Recombinant Human CCL18/PARC Protein	Human
GRF01832	Recombinant Human CCL19/MIP-3 beta Protein	Human
GRF01411	Recombinant Human CCL2/MCP-1 Protein	Human

HUMAN RECOMBINANT PROTEINS

CAT.#	Description	Species
GRF01660	Recombinant Human CCL2/MCP-1 Protein	Human
GRF01402	Recombinant Human CCL21 Protein	Human
GRF01781	Recombinant Human CCL21/6Ckine Protein	Human
GRF00317	Recombinant Human CCL23/Ck beta 8-1 Protein	Human
GRF00318	Recombinant Human CCL24/Eotaxin-2 Protein	Human
GRF01945	Recombinant Human CCL25/TECK Protein	Human
GRF01628	Recombinant Human CCL3/MIP-1 alpha Protein	Human
GRF01855	Recombinant Human CCL3/MIP-1 alpha Protein	Human
GRF01834	Recombinant Human CCL3L1 Protein	Human
GRF01654	Recombinant Human CCL4/MIP-1 β Protein	Human
GRF01611LQ	Recombinant Human CCL5/RANTES Protein	Human
GRF01750LQ	Recombinant Human CCL5/RANTES Protein	Human
GRF00063	Recombinant Human CCL7/MCP-3 Protein	Human
GRF01947	Recombinant Human CCL8/MCP-2 Protein	Human
GRF01793	Recombinant Human CER1/DAND4 Protein	Human
GRF01747	Recombinant Human Cerebral dopamine neurotrophic factor/CDNF Protein	Human
GRF01808	Recombinant Human Chemerin/RARRES2 Protein	Human
GRF01746	Recombinant Human Chorionic somatomammotropin hormone 1/Choriomammotropin/CSH1 Protein	Human
GRF00124	Recombinant Human c-Kit ligand/KITLG/SCF Protein	Human
GRF00114	Recombinant Human c-Kit/CD117 Protein	Human
GRF00039	Recombinant Human CNTF Protein	Human
GRF00242	Recombinant Human CNTFR-alpha Protein	Human
GRF01128	Recombinant Human Complement C5A Protein	Human
GRF00202	Recombinant Human Cripto-1/TDGF1 Protein	Human
GRF01221	Recombinant Human CSF-1/M-CSF Protein	Human
GRF00268	Recombinant Human CSF1R/M-CSF R/CD115 Protein	Human
GRF00094	Recombinant Human CSF-2/GM-CSF Protein	Human
GRF01722	Recombinant Human CSF-3/G-CSF Protein	Human
GRF02881	Recombinant Human CSF-3/G-CSF Protein	Human
GRF00270	Recombinant Human CSF3R/G-CSF-R/CD114 Protein	Human
GRF01711	Recombinant Human CX3CL1/Fractalkine Protein	Human
GRF01623	Recombinant Human CXCL1/GRO-alpha Protein	Human
GRF01651	Recombinant Human CXCL1/GRO-alpha Protein	Human
GRF01841	Recombinant Human CXCL1/GRO-alpha Protein	Human
GRF01638	Recombinant Human CXCL10/IP-10 Protein	Human

HUMAN RECOMBINANT PROTEINS

CAT.#	Description	Species
GRF03273	Recombinant Human CXCL11/IP-9 Protein	Human
GRF01637	Recombinant Human CXCL12/SDF-1 Protein	Human
GRF02839	Recombinant Human CXCL13/BLC Protein	Human
GRF02782	Recombinant Human CXCL14/BRAK Protein	Human
GRF03286	Recombinant Human CXCL17/VCC1 Protein	Human
GRF01656	Recombinant Human CXCL2/MIP-2 Protein	Human
GRF01857	Recombinant Human CXCL2/MIP-2 Protein	Human
GRF01403	Recombinant Human CXCL3/GRO-gamma/MIP2-beta Protein	Human
GRF01136	Recombinant Human CXCL4/PF-4 Protein	Human
GRF01774	Recombinant Human CXCL4/PF-4 Protein	Human
GRF00351	Recombinant Human CXCL5/ENA-70 Protein	Human
GRF03246	Recombinant Human CXCL6 Protein	Human
GRF01599	Recombinant Human CXCL7/PPBP Protein	Human
GRF00352	Recombinant Human CXCL9/MIG Protein	Human
GRF00353	Recombinant Human Cyr61/CCN1 Protein	Human
GRF01030	Recombinant Human EGF Protein	Human
GRF03287	Recombinant Human EGF Protein	Human
GRF01714	Recombinant human Ephrin-A3/EFNA3 Protein	human
GRF01895	Recombinant Human EREG Protein	Human
GRF00111	Recombinant Human Erythropoietin R/EPO-R Protein	Human
GRF01380	Recombinant Human Erythropoietin/EPO Protein	Human
GRF01690	Recombinant Human Erythropoietin/EPO Protein	Human
GRF02181	Recombinant Human FAM3B/PANDER Protein	Human
GRF00514	Recombinant Human FAM3C Protein	Human
GRF00631	Recombinant Human Ferritin heavy chain/FTH1 Protein	Human
GRF01242	Recombinant Human FGF-1/aFGF Protein	Human
GRF01042	Recombinant Human FGF-2/bFGF Protein	Human
GRF01404	Recombinant Human FGF-3 Protein	Human
GRF01712	Recombinant Human FGF-4 Protein	Human
GRF01717	Recombinant Human FGF-7/HBGF-7/KGF Protein	Human
GRF01710	Recombinant Human FGF-9 Protein	Human
GRF01140	Recombinant Human FGF-10 Protein	Human
GRF00064	Recombinant Human FGF-12 Protein	Human
GRF01827	Recombinant Human FGF-18 Protein	Human
GRF01231	Recombinant Human FGF-19 Protein	Human

HUMAN RECOMBINANT PROTEINS

CAT.#	Description	Species
GRF00049	Recombinant Human FGF-21 Protein	Human
GRF01740	Recombinant human FGF-23 Protein	human
GRF01151	Recombinant Human FGFR-1/FLT-2/CD331 Protein	Human
GRF01213	Recombinant Human FGFR-2 alpha (IIIc)/KGFR/CD332 Protein	Human
GRF00144	Recombinant Human FGFR-3 alpha (IIIc)/CD333 Protein	Human
GRF00130	Recombinant Human FGFR-4/CD334 Protein	Human
GRF00134	Recombinant Human FGFR-5/FGFRL1 Protein	Human
GRF00175	Recombinant Human Flt3 ligand/Flt3L Protein	Human
GRF02360	Recombinant Human Flt3 ligand/Flt3L Protein	Human
GRF01138	Recombinant Human FLT-3/FLK-2/CD135 Protein	Human
GRF01314	Recombinant Human FLT-3/FLK-2/CD135 Protein	Human
GRF01173	Recombinant Human Flt4 ligand/VEGF-C Protein	Human
GRF00376	Recombinant Human Follistatin/Follistatin 288/FST Protein	Human
GRF00007	Recombinant Human Galectin-1/LGALS1 Protein	Human
GRF02964	Recombinant Human GAS-6 Protein	human
GRF01950	Recombinant Human GDF15 Protein	Human
GRF00102	Recombinant Human GDNFR-alpha-1/GFRA1 Protein	Human
GRF00199	Recombinant Human GDNFR-alpha-2/GFRA2 Protein	Human
GRF02175	Recombinant Human GFER/ALR Protein	Human
GRF02211	Recombinant Human GFR alpha-like/GFRAL Protein	Human
GRF01796	Recombinant Human GHRL/MTLGRF Protein	Human
GRF00031	Recombinant Human GMF-Beta/GMFB Protein	Human
GRF00754	Recombinant Human HB-EGF Protein	Human
GRF01602	Recombinant Human Hepatocyte growth factor/HGF Protein	Human
GRF00210	Recombinant Human HER1/ERBB1/EGFR Protein	Human
GRF01029	Recombinant Human HER1/ERBB1/EGFR Protein	Human
GRF03236	Recombinant Human HGF Activator/HGFA Protein	human
GRF01041	Recombinant Human HGF receptor/c-MET/MET Protein	Human
GRF01737	Recombinant Human HMGB1-EGFP Protein	Human
GRF01718	Recombinant Human HMGB2 Protein	Human
GRF00011	Recombinant Human IFN-alpha 1/13(Q114A) Protein	Human
GRF01919	Recombinant Human IFN-alpha 10 Protein	Human
GRF01432	Recombinant Human IFN-alpha 2 Protein	Human
GRF00880	Recombinant Human IFN-alpha 4 Protein	Human
GRF01914	Recombinant Human IFN-alpha 4 Protein	Human

HUMAN RECOMBINANT PROTEINS

CAT.#	Description	Species
GRF00540	Recombinant Human IFN-alpha 6 Protein	Human
GRF01900	Recombinant Human IFN-alpha 21 Protein	Human
GRF02885	Recombinant Human IFN-alpha B2/IFNA8 Protein	Human
GRF01915	Recombinant Human IFN-alpha G/IFNA5 Protein	Human
GRF01897	Recombinant Human IFN-alpha H2/IFNA14 Protein	Human
GRF01899	Recombinant Human IFN-alpha I/IFN17 Protein	Human
GRF01342	Recombinant Human IFNAR2 Protein	Human
GRF02774	Recombinant Human IFN-beta Protein	Human
GRF01038	Recombinant Human IFN-gamma Protein	Human
GRF00200	Recombinant Human IFN-gamma R1/CD119 Protein	Human
GRF01650	Recombinant Human IFN-gamma R2 Protein	Human
GRF00977	Recombinant Human IFN-lambda 1/IL-29 Protein	Human
GRF00231	Recombinant Human IFN-lambda 2/IL-28A Protein	Human
GRF00219	Recombinant Human IFN-lambda 3/IL-28B Protein	Human
GRF01143	Recombinant Human IGF1R/CD221 Protein	Human
GRF02186	Recombinant Human IGF2BP2 Protein	Human
GRF02786	Recombinant Human IGF2R/CD222 Protein	Human
GRF00237	Recombinant Human IGFBP-1 Protein	Human
GRF00215	Recombinant Human IGFBP-2 Protein	Human
GRF00185	Recombinant Human IGFBP-4 Protein	Human
GRF01784	Recombinant human IGFBP-5 Protein	human
GRF00145	Recombinant Human IGFBP-6 Protein	Human
GRF00996	Recombinant Human IGF-I Protein	Human
GRF01608	Recombinant Human IGF-I Protein	Human
GRF01875	Recombinant Human IGF-I Protein	Human
GRF01878	Recombinant Human IGF-II Protein	Human
GRF00098	Recombinant Human IL-1 alpha Protein	Human
GRF00002	Recombinant Human IL-1 beta Protein	Human
GRF01547	Recombinant Human IL-1 RGRF2/IL-1 R6 Protein	Human
GRF00093	Recombinant Human IL-10 Protein	Human
GRF01647	Recombinant Human IL-10RA/CD210 Protein	Human
GRF01648	Recombinant Human IL-10RA/CD210 Protein	Human
GRF00050	Recombinant Human IL-11 Protein	Human
GRF00675	Recombinant Human IL-12 R beta 1/CD212 Protein	Human
GRF01232	Recombinant Human IL-12/IL-12A&IL-12B Protein	Human

HUMAN RECOMBINANT PROTEINS

CAT.#	Description	Species
GRF01232S	Recombinant Human IL-12/IL-12A&IL-12B Protein	Human
GRF00173	Recombinant Human IL-12A/IL-12 p35 Protein	Human
GRF01288	Recombinant Human IL-12B/IL-12 p40 Protein	Human
GRF01320	Recombinant Human IL-13 Protein	Human
GRF01025	Recombinant Human IL-13RA1/CD213a1 Protein	Human
GRF01032	Recombinant Human IL-13RA1/CD213a1 Protein	Human
GRF01236	Recombinant Human IL-15 Protein	Human
GRF01257	Recombinant Human IL-15 Protein	Human
GRF01192	Recombinant Human IL-15RA/CD215 Protein	Human
GRF00038	Recombinant Human IL-16 Protein	Human
GRF00212	Recombinant Human IL-17A/CTLA-8 Protein	Human
GRF02709	Recombinant Human IL-17C Protein	Human
GRF00870	Recombinant Human IL-17F Protein	Human
GRF00273	Recombinant Human IL-17RA/CD217 Protein	Human
GRF00006	Recombinant Human IL-18 Protein	Human
GRF00162	Recombinant Human IL-18BP Protein	Human
GRF01100	Recombinant Human IL-18 R beta/IL-1 R7/CD218b Protein	Human
GRF00097	Recombinant Human IL-18R1/CD218a Protein	Human
GRF01949	Recombinant Human IL-19 Protein	Human
GRF00939	Recombinant Human IL-1R1/ CD121a Protein	Human
GRF01036	Recombinant Human IL-1R1/CD121a Protein	Human
GRF00235	Recombinant Human IL-1R2/CD121b Protein	Human
GRF01028	Recombinant Human IL-1R2/CD121b Protein	Human
GRF01382	Recombinant Human IL-1R3/IL-1RAcP/IL1RAP Protein	Human
GRF01820	Recombinant Human IL1RAPL-2 Protein	Human
GRF00271	Recombinant Human IL1RL1/ST2 Protein	Human
GRF00003	Recombinant Human IL-1RN Protein	Human
GRF01039	Recombinant Human IL-2 Protein	Human
GRF00076	Recombinant Human IL-2RA/CD25 Protein	Human
GRF01405	Recombinant Human IL-2RA/CD25 Protein	Human
GRF01031	Recombinant Human IL-2RG/CD132 Protein	Human
GRF01205	Recombinant Human IL-2RG/CD132 Protein	Human
GRF01362	Recombinant Human IL-3 Protein	Human
GRF00121	Recombinant Human IL-3RA/CD123 Protein	Human
GRF00995	Recombinant Human IL-4 Protein	Human

HUMAN RECOMBINANT PROTEINS

CAT.#	Description	Species
GRF00099	Recombinant Human IL-4R alpha/CD124 Protein	Human
GRF01316	Recombinant Human IL-5 Protein	Human
GRF01783	Recombinant Human IL-5RA/CD125 Protein	Human
GRF00201	Recombinant Human IL-6 Protein	Human
GRF00269	Recombinant Human IL-6RA/CD126 Protein	Human
GRF01396	Recombinant Human IL-6RA/CD126 Protein	Human
GRF01217	Recombinant Human IL-6RB/gp130/CD130 Protein	Human
GRF01040	Recombinant Human IL-7 Protein	Human
GRF00976	Recombinant Human IL-7RA/CD127 Protein	Human
GRF00052	Recombinant Human IL-8/CXCL8/GCP-1 Protein	Human
GRF01649	Recombinant Human IL-9 Protein	Human
GRF01686	Recombinant Human IL-9 Protein	Human
GRF02891	Recombinant Human IL-9 Protein	Human
GRF00537	Recombinant Human IL-20RA Protein	Human
GRF01102	Recombinant Human IL-20RB Protein	Human
GRF01312	Recombinant Human IL-21 Protein	Human
GRF00177	Recombinant Human IL-21R/CD360 Protein	Human
GRF01616	Recombinant Human IL-22 Protein	Human
GRF00192	Recombinant Human IL-22RA2/IL22BP Protein	Human
GRF01160	Recombinant Human IL-23/IL-12B&IL-23A Protein	Human
GRF01376	Recombinant Human IL-23R Protein	Human
GRF03298	Recombinant Human IL-24 Protein	Human
GRF01755	Recombinant human IL-25/IL-17E Protein	human
GRF01927	Recombinant Human IL-25/IL-17E Protein	Human
GRF00639	Recombinant Human IL-27/IL-27A&IL-27B Protein	Human
GRF02418	Recombinant Human IL-27RA/TCCR Protein	Human
GRF01757	Recombinant Human IL-31 Protein	Human
GRF00019	Recombinant Human IL-33 Protein	Human
GRF01713	Recombinant Human IL-34 Protein	human
GRF00027	Recombinant Human IL-36 alpha/IL-1F6 Protein	Human
GRF00020	Recombinant Human IL-36 beta/IL-1F8 Protein	Human
GRF00035	Recombinant Human IL-36 gamma/IL-1F9 Protein	Human
GRF01435	Recombinant Human IL-36R/IL-1RGRF2/IL1RL2 Protein	Human
GRF00030	Recombinant Human IL-36Ra/IL-1F5 Protein	Human
GRF00409	Recombinant Human IL-37/IL-1F7 Protein	Human

HUMAN RECOMBINANT PROTEINS

CAT.#	Description	Species
GRF01084	Recombinant Human IL-38/IL-1F10 Protein	Human
GRF03275	Recombinant Human Inhibin beta E/INHBE Protein	Human
GRF00915	Recombinant Human Insulin-like 3/INSL3 Protein	Human
GRF01752	Recombinant Human Interferon omega-1/IFNW1 Protein	Human
GRF01963	Recombinant Human ITPRIPL1/KIAA1754L/CD3L1 Protein	Human
GRF00161	Recombinant Human Latent TGF-beta 1 (C33S) Protein	Human
GRF03502	Recombinant Human Latent TGF-beta 2 Protein	Human
GRF00028	Recombinant Human Leptin/LEP Protein	Human
GRF00089	Recombinant Human Leukemia inhibitory factor/LIF Protein	Human
GRF01697	Recombinant Human Leukemia inhibitory factor/LIF Protein	Human
GRF03299	Recombinant Human LGR4/GPR48 Protein	Human
GRF01942	Recombinant Human LH /CGA&LHB Protein	Human
GRF00825	Recombinant Human LR3-IGF-1(E51R) Protein	Human
GRF01911	Recombinant Human Lutropin beta chain/LHB Protein	Human
GRF02815	Recombinant Human Lymphotactin/XCL1 Protein	Human
GRF02895	Recombinant Human Macrophage migration inhibitory factor/MIF Protein	Human
GRF00005	Recombinant Human MANF Protein	Human
GRF00044	Recombinant Human MANF Protein	Human
GRF02513S	Recombinant Human Mature BMP-7 Protein	Human
GRF00835	Recombinant Human Mature GDNF Protein	Human
GRF01313	Recombinant Human Mature GDNF Protein	Human
GRF01954	Recombinant Human Mature GDNF Protein	Human
GRF01458	Recombinant Human Mature TGF-beta 1 Protein	Human
GRF00452	Recombinant Human Mature TGF-beta 2 Protein	Human
GRF03515	Recombinant Human Midkine/MDK Protein	Human
GRF01956	Recombinant Human Mat. MIS/AMH Protein	Human
GRF01790	Recombinant Human MYDGF Protein	Human
GRF00137	Recombinant Human Neuropilin-1/NGRF1/VEGF165R/CD304 Protein	Human
GRF00225	Recombinant Human Neuropilin-2/NGRF2/VEGF165R2 Protein	Human
GRF00496	Recombinant Human Neurotrophin-3/NGF-2/NT-3 Protein	Human
GRF01237	Recombinant Human Noggin/NOG Protein	Human
GRF01186	Recombinant Human NovH/CCN3(N97K) Protein	Human
GRF00054	Recombinant Human Oncostatin-M/OSM Protein	Human
GRF00224	Recombinant Human OSMR/IL-31RB Protein	Human
GRF00989	Recombinant Human Osteopontin/SPP-1 Protein	Human

HUMAN RECOMBINANT PROTEINS

CAT.#	Description	Species
GRF00724	Recombinant Human PBEF/Visfatin/NAMPT Protein	Human
GRF01772	Recombinant Human PDGF-AA Protein	Human
GRF01763	Recombinant Human PDGF-BB Protein	Human
GRF00116	Recombinant Human PDGFR-alpha/CD140a Protein	Human
GRF00126	Recombinant Human PDGFR-beta/CD140b(E241D) Protein	Human
GRF01748	Recombinant Human Periostin/PN/POSTN Protein	Human
GRF00187	Recombinant Human Progranulin/PGRN/GRN Protein	Human
GRF00128	Recombinant Human Prolactin receptor/PRL-R Protein	Human
GRF01723	Recombinant Human Prolactin/PRL Protein	Human
GRF01825	Recombinant Human Pro-neuregulin-1/NRG1 (Beta1) Protein	Human
GRF01742	Recombinant Human Prothrombin/F2 Protein	human
GRF01810	Recombinant Human RETN Protein	Human
GRF00071	Recombinant Human R-spondin-1/RSPO1 Protein	Human
GRF03266	Recombinant Human R-spondin-2/RSPO2 Protein	Human
GRF01952	Recombinant Human R-spondin-3/ RSPO3 Protein	Human
GRF00278	Recombinant Human SECTM1 Protein	Human
GRF01850	Recombinant Human Semaphorin-6A/SEMA6A Protein	Human
GRF00033	Recombinant Human Somatotropin/GH-N/GH1 Protein	Human
GRF00056	Recombinant Human Sonic hedgehog protein N-product/SHH(C24IVI) Protein	Human
GRF01780	Recombinant Human TGF-alpha Protein	Human
GRF00239	Recombinant Human TGF-beta receptor type-2/TGFR-2 Protein	Human
GRF01408	Recombinant Human TGFR-1/ALK-5 Protein	Human
GRF02785	Recombinant Human Thrombopoietin R/MPL/CD110 Protein	Human
GRF00174	Recombinant Human Thrombopoietin/THPO Protein	Human
GRF00048	Recombinant Human TIE2/TEK/CD202b Protein	Human
GRF00122	Recombinant Human TIE2/TEK/CD202b Protein	Human
GRF00595	Recombinant Human Tissue-type plasminogen activator/TPA/PLAT Protein	Human
GRF00993	Recombinant Human TNF-alpha Protein	Human
GRF01977	Recombinant Human TNF-beta Protein	Human
GRF01347	Recombinant Human TNFRSF1A/TNF-R1/CD120a Protein	Human
GRF01412	Recombinant Human TNFRSF1A/TNF-R1/CD120a Protein	Human
GRF00252	Recombinant Human TNFRSF1B/TNF-R2/CD120b Protein	Human
GRF01179	Recombinant Human TNFRSF3/TNFR-III/LTBR Protein	Human
GRF01357	Recombinant Human TNFRSF4/OX40/CD134 Protein	Human
GRF01214	Recombinant Human TNFRSF5/CD40 Protein	Human

HUMAN RECOMBINANT PROTEINS

CAT.#	Description	Species
GRF01218	Recombinant Human TNFRSF5/CD40 Protein	Human
GRF00139	Recombinant Human TNFRSF6/FAS/CD95 Protein	Human
GRF01358	Recombinant Human TNFRSF7/CD27 Protein	Human
GRF00106	Recombinant Human TNFRSF8/CD30 Protein	Human
GRF00276	Recombinant Human TNFRSF9/4-1BB/CD137 Protein	Human
GRF02082	Recombinant Human TNFRSF10A/DR4/TRAIL-R1/CD261 Protein	Human
GRF00282	Recombinant Human TNFRSF10B/DR5/TRAIL-R2/CD262 Protein	Human
GRF01388	Recombinant Human TNFRSF10B/DR5/TRAIL-R2/CD262 Protein	Human
GRF00805	Recombinant Human TNFRSF10C/DcR1/TRAIL-R3/CD263 Protein	Human
GRF00992	Recombinant Human TNFRSF10D/DcR2/TRAIL-R4/CD264 Protein	Human
GRF00458	Recombinant Human TNFRSF11A/RANK/CD265 Protein	Human
GRF00180	Recombinant Human TNFRSF11B/Osteoprotegerin Protein	Human
GRF00166	Recombinant Human TNFRSF12A/TWEAKR/CD266 Protein	Human
GRF01223	Recombinant Human TNFRSF13C/BAFFR/CD268 Protein	Human
GRF00070	Recombinant Human TNFRSF14/HVEM/CD270 Protein	Human
GRF00155	Recombinant Human TNFRSF17/BCMA/CD269 Protein	Human
GRF01399	Recombinant Human TNFRSF18/GITR/CD357 Protein	Human
GRF03175	Recombinant Human TNFRSF19/TROY Protein	Human
GRF01349	Recombinant Human TNFRSF21/DR6/CD358 Protein	Human
GRF00464	Recombinant Human TNFRSF25/DR3 Protein	Human
GRF01541	Recombinant Human TNFSF10/TRAIL/CD253 Protein	Human
GRF00183	Recombinant Human TNFSF11/RANKL/CD254 Protein	Human
GRF01777	Recombinant Human TNFSF13/APRIL/CD256 Protein	Human
GRF02038	Recombinant Human TNFSF13/APRIL/CD256 Trimer Protein	Human
GRF00018	Recombinant Human TNFSF13B/BAFF/CD257 Protein	Human
GRF01730	Recombinant Human TNFSF13B/BAFF/CD257 Protein	human
GRF01336	Recombinant Human TNFSF14/LIGHT/HVEM-L/CD258 Protein	Human
GRF00053	Recombinant Human TNFSF15/TL1 Protein	Human
GRF01433	Recombinant Human TNFSF18/GITR Ligand Protein	Human
GRF01535	Recombinant Human TNFSF18/GITR Ligand Protein	Human
GRF00467	Recombinant Human TNFSF4/OX40 ligand/CD252 Protein	Human
GRF01902	Recombinant Human TNFSF4/OX40 ligand/CD252 Protein	Human
GRF01733	Recombinant Human TNFSF5/CD40 ligand/CD154 Protein	Human
GRF02353	Recombinant Human TNFSF6/FAS ligand/CD178 Protein	Human
GRF01129	Recombinant Human TNFSF7/CD27 Ligand/CD70 Protein	Human

HUMAN RECOMBINANT PROTEINS

CAT.#	Description	Species
GRF01720	Recombinant Human TNFSF7/CD27 Ligand/CD70 Protein	Human
GRF01805	Recombinant Human TNFSF8/CD30 Ligand/CD153 Protein	Human
GRF00060	Recombinant Human TNFSF9/4-1BB Ligand Protein	Human
GRF00606	Recombinant Human Transcriptional Repressor Ctcf/CTCF Protein	Human
GRF00088	Recombinant Human Trk-A/NTRK1 Protein	Human
GRF01726	Recombinant human Trk-A/NTRK1 Protein	human
GRF00290	Recombinant Human Trk-B/NTRK2 Protein	Human
GRF00222	Recombinant Human Trk-C/NTRK3 Protein	Human
GRF00288	Recombinant Human Trk-C/NTRK3 Protein	Human
GRF01049	Recombinant Human TWSG1 Protein	Human
GRF01368	Recombinant Human Vasorin/SLIT2/VASN Protein	Human
GRF01162	Recombinant Human VEGF-A/VEGF121 Protein	Human
GRF00017	Recombinant Human VEGF-A/VEGF121(K321N) Protein	Human
GRF01150	Recombinant Human VEGF-A/VEGF165 Protein	Human
GRF01118	Recombinant Human VEGF-B/VEGF186 Protein	Human
GRF01426	Recombinant Human VEGF-D/FIGF Protein	Human
GRF01188	Recombinant Human VEGFR-1/FLT-1 Protein	Human
GRF00084	Recombinant Human VEGFR-2/KDR/CD309 Protein	Human
GRF01378	Recombinant Human VEGFR-2/KDR/CD309 Protein	Human
GRF00123	Recombinant Human VEGFR-3/FLT-4 Protein	Human
GRF02813	Recombinant Human VHL Protein	Human
GRF01618	Recombinant Human Wnt-3a Surrogate Protein	Human
GRF01618SLQ	Recombinant Human Wnt-3a Surrogate Protein	Human
GRF01659	Recombinant Human/Mouse FGF-8B Protein	Human/Mouse
GRF01243	Recombinant Human/Mouse/Rat BDNF Protein	Human
GRF00378LQ	Recombinant Human/Mouse/Rat GDF-11/BMP-11 Protein	Human
GRF01782S	Recombinant Human/Mouse/Rat mature Activin A/INHBA Protein	Human,Mouse,Rat
GRF02510S	Recombinant Human/Mouse/Rat mature BMP-2 Protein	Human,Mouse,Rat
GRF02512S1	Recombinant Human/Mouse/Rat Mature BMP-4 Protein	Human,Mouse,Rat
GRF00645	Recombinant Human/Mouse/Rat mature TGF-beta 3 Protein	Human
GRF02274B	Biotinylated Recombinant Human Angiopoietin-2/ANG-2/ANGPT2 (275-496) Protein	Human
GRF02273B	Biotinylated Recombinant Human Angiopoietin-like 3/ANGPTL3 (17-219) Protein	Human
GRF02337B	Biotinylated Recombinant Human CSF1R/M-CSF R/CD115 Protein	Human
GRF02357B	Biotinylated Recombinant Human FGFR-4/CD334 Protein	Human
GRF02383B	Biotinylated Recombinant Human IFN-gamma Protein	Human

HUMAN RECOMBINANT PROTEINS

CAT.#	Description	Species
GRF02386B	Biotinylated Recombinant Human IGF1R/CD221 Protein	Human
GRF02391B	Biotinylated Recombinant Human IL-10 Protein	Human
GRF02394B	Biotinylated Recombinant Human IL-13 Protein	Human
GRF02410B	Biotinylated Recombinant Human IL-17A/CTLA-8 Protein	Human
GRF02417B	Biotinylated Recombinant Human IL-17F Protein	Human
GRF02396B	Biotinylated Recombinant Human IL-17RA/CD217 Protein	Human
GRF02423B	Biotinylated Recombinant Human IL-17RA/CD217 Protein	Human
GRF02425B	Biotinylated Recombinant Human IL-6RA/CD126 Protein	Human
GRF02464B	Biotinylated Recombinant Human Oncostatin-M/OSM Protein	Human
GRF02476B	Biotinylated Recombinant Human PDGFR-alpha/CD140a Protein	Human
GRF02478B	Biotinylated Recombinant Human PDGFR-beta/CD140b Protein	Human
GRF02094B	Biotinylated Recombinant Human Thymic stromal lymphopoietin/TSLP (R127A, R130A) Protein	Human
GRF02092B	Biotinylated Recombinant Human Thymic stromal lymphopoietin/TSLP Protein	Human
GRF02081B	Biotinylated Recombinant Human TNF-alpha Protein	Human
GRF02083B	Biotinylated Recombinant Human TNFRSF10A/DR4/TRAIL-R1/CD261 Protein	Human
GRF02087B	Biotinylated Recombinant Human TNFRSF10D/DcR2/TRAIL-R4/CD264 Protein	Human
GRF02282B	Biotinylated Recombinant Human TNFRSF9/4-1BB/CD137 Protein	Human
GRF02097B	Biotinylated Recombinant Human VEGF-A/VEGF165 Protein	Human
GRF02100B	Biotinylated Recombinant Human VEGFR-1/FLT-1 Protein	Human
GRF02085B	Biotinylated Recombinant Human TNFRSF10B/DR5/TRAIL-R2/CD262 Protein	Human

MOUSE RECOMBINANT PROTEINS

CAT.#	Description	Species
GRF01782S	Recombinant Human/Mouse/Rat mature Activin A/INHBA Protein	Human,Mouse,Rat
GRF00700	Recombinant Mouse Alpha-Synuclein/SNCA Protein	Mouse
GRF03167	Recombinant Mouse Amphiregulin/AREG Protein	Mouse
GRF01743	Recombinant Mouse Angiotensin-1/ANG-1/ANGPT1(277-498) Protein	Mouse
GRF01744	Recombinant Mouse Angiotensin-2/ANG-2/ANGPT2(275-496) Protein	Mouse
GRF00640	Recombinant Mouse Apolipoprotein E/APOE Protein	Mouse
GRF02819	Recombinant Mouse Asprosin/Fibrillin-1/FBN1 Protein	Mouse
GRF01852	Recombinant Mouse Autotaxin/E-NPP2 Protein	Mouse
GRF00667	Recombinant Mouse Beta-nerve growth factor/NGFB Protein	Mouse
GRF02510S	Recombinant Human/Mouse/Rat mature BMP-2 Protein	Human,Mouse,Rat
GRF02512S1	Recombinant Human/Mouse/Rat Mature BMP-4 Protein	Human,Mouse,Rat
GRF03250	Recombinant Mouse BMP-3B/GDF-10 Protein	Mouse
GRF01607	Recombinant Mouse CCL2/MCP-1 Protein	Mouse
GRF01626	Recombinant Mouse CCL2/MCP-1 Protein	Mouse
GRF00747	Recombinant Mouse CCL3/MIP-1 alpha Protein	Mouse
GRF01907	Recombinant Mouse CCL4/MIP-1 β Protein	Mouse
GRF01716	Recombinant Mouse CCL6 Protein	Mouse
GRF01923	Recombinant Mouse CCL7/MCP-3 Protein	Mouse
GRF00773	Recombinant Mouse CCL8/MCP-2 Protein	Mouse
GRF00625	Recombinant Mouse CCL9 Protein	Mouse
GRF01904	Recombinant Mouse CCL11/Eotaxin Protein	Mouse
GRF03278	Recombinant Mouse CCL12/MCP-5 Protein	Mouse
GRF01905	Recombinant Mouse CCL17/TARC Protein	Mouse
GRF03272	Recombinant Mouse CCL20/MIP-3-alpha Protein	Mouse
GRF01885	Recombinant Mouse CCL21/6Ckine Protein	Mouse
GRF01906	Recombinant Mouse CCL22/MDC Protein	Mouse
GRF01055	Recombinant Mouse c-Kit ligand/KITLG/SCF Protein	Mouse
GRF01946	Recombinant Mouse Cripto/TDGF1 Protein	Mouse
GRF01216	Recombinant Mouse CSF-1/M-CSF Protein	Mouse
GRF01216S	Recombinant Mouse CSF-1/M-CSF Protein	Mouse
GRF01554	Recombinant Mouse CSF1R/M-CSF R/CD115 Protein	Mouse
GRF01206	Recombinant Mouse CSF-2/GM-CSF Protein	Mouse
GRF00573	Recombinant Mouse CSF-3/G-CSF Protein	Mouse
GRF01393	Recombinant Mouse CX3CL1/Fractalkine Protein	Mouse
GRF01615	Recombinant Mouse CXCL1/GRO-alpha Protein	Mouse

MOUSE RECOMBINANT PROTEINS

CAT.#	Description	Species
GRF01625	Recombinant Mouse CXCL10/IP-10 Protein	Mouse
GRF01877	Recombinant Mouse CXCL12/SDF-1 Protein	Mouse
GRF02941LQ	Recombinant Mouse CXCL13/BLC Protein	Mouse
GRF01061	Recombinant Mouse CXCL16/SR-PSOX Protein	Mouse
GRF01882	Recombinant Mouse CXCL2/MIP-2 Protein	Mouse
GRF03238LQ	Recombinant Mouse CXCL3/GRO-gamma/MIP2-beta Protein	Mouse
GRF01924	Recombinant Mouse CXCL4/PF-4 Protein	Mouse
GRF01953	Recombinant Mouse CXCL4/PF-4 Protein	Mouse
GRF03170	Recombinant Mouse CXCL4/PF-4 Protein	Mouse
GRF03259	Recombinant Mouse CXCL5/ENA-70 Protein	Mouse
GRF02851	Recombinant Mouse CXCL9/MIG Protein	Mouse
GRF01894	Recombinant Mouse Dkk-3 Protein	Mouse
GRF01684	Recombinant Mouse EGF Protein	Mouse
GRF03240	Recombinant Mouse EGFR/HER1 Protein	Mouse
GRF01912	Recombinant Mouse Endoglin/ENG/CD105 Protein	Mouse
GRF01926	Recombinant Mouse Ephrin-B3/EFNB3 Protein	Mouse
GRF01880	Recombinant Mouse EREG Protein	Mouse
GRF01775	Recombinant Mouse Erythropoietin/EPO Protein	Mouse
GRF00487	Recombinant Mouse FGF-1/aFGF Protein	Mouse
GRF01659	Recombinant Human/Mouse FGF-8B Protein	Human/Mouse
GRF01345	Recombinant Mouse FGF-2/bFGF Protein	Mouse
GRF03172	Recombinant Mouse FGF-7/HBGF-7/KGF Protein	Mouse
GRF01840LQ	Recombinant Mouse FGF-9 Protein	Mouse
GRF01536	Recombinant Mouse FGFR-4/CD334 Protein	Mouse
GRF01848	Recombinant Mouse FGF-10 Protein	Mouse
GRF03510	Recombinant Mouse FGF-18 Protein	Mouse
GRF01715	Recombinant Mouse FGF-21 Protein	Mouse
GRF01058	Recombinant Mouse Flt3 ligand/Flt3L Protein	Mouse
GRF02957	Recombinant Mouse FLT-3/FLK-2/CD135 Protein	Mouse
GRF01824	Recombinant Mouse GITR Ligand/TNFSF18 Protein	Mouse
GRF01584	Recombinant Mouse Hepatocyte growth factor/HGF Protein	Mouse
GRF01719	Recombinant Mouse IFNA1 Protein	Mouse
GRF01725	Recombinant Mouse IFN-alpha 2 Protein	Mouse
GRF01076	Recombinant Mouse IFN-beta Protein	Mouse
GRF01883	Recombinant Mouse IFN-beta Protein	Mouse

MOUSE RECOMBINANT PROTEINS

CAT.#	Description	Species
GRF01070	Recombinant Mouse IFN-gamma Protein	Mouse
GRF03182	Recombinant Mouse IGFBP-2 Protein	Mouse
GRF01859	Recombinant Mouse IGF-I Protein	Mouse
GRF01887	Recombinant Mouse IGF-I Protein	Mouse
GRF01881	Recombinant Mouse IGF-II Protein	Mouse
GRF01319	Recombinant Mouse IL-1 alpha Protein	Mouse
GRF02518	Recombinant Mouse IL-1 alpha Protein	Mouse
GRF01340	Recombinant Mouse IL-1 beta Protein	Mouse
GRF01384	Recombinant Mouse IL-2 Protein	Mouse
GRF03105	Recombinant Mouse IL-2 R beta/CD122 Protein	Mouse
GRF01386	Recombinant Mouse IL-3 Protein	Mouse
GRF01161	Recombinant Mouse IL-4 Protein	Mouse
GRF01680	Recombinant Mouse IL-4R alpha/CD124 Protein	Mouse
GRF01670	Recombinant Mouse IL-5 Protein	Mouse
GRF01321	Recombinant Mouse IL-6 Protein	Mouse
GRF01862	Recombinant Mouse IL-6RA/CD126 Protein	Mouse
GRF01766	Recombinant Mouse IL-7 Protein	Mouse
GRF01687	Recombinant Mouse IL-9 Protein	Mouse
GRF01691	Recombinant Mouse IL-12/IL-12A&IL-12B Protein	Mouse
GRF01661	Recombinant Mouse IL-12B/IL-12 p40 Protein	Mouse
GRF01696	Recombinant Mouse IL-12B/IL-12 p40 Protein	Mouse
GRF01596	Recombinant Mouse IL-13 Protein	Mouse
GRF02180	Recombinant Mouse IL-13RA1/CD213a1 Protein	Mouse
GRF01676	Recombinant Mouse IL-15 Protein	Mouse
GRF01373	Recombinant Mouse IL-15RA/CD215 Protein	Mouse
GRF01799	Recombinant Mouse IL-17E Protein	Mouse
GRF01147	Recombinant Mouse IL-17F Protein	Mouse
GRF01592	Recombinant Mouse IL-17RA/CD217 Protein	Mouse
GRF02521	Recombinant Mouse IL-18 Protein	Mouse
GRF01876	Recombinant Mouse IL-19 Protein	Mouse
GRF01890	Recombinant Mouse IL-19 Protein	Mouse
GRF00666	Recombinant Mouse IL-1Ra/IL-1F3/IL-1RN Protein	Mouse
GRF01538	Recombinant Mouse IL1RL1/ST2 Protein	Mouse
GRF01673	Recombinant Mouse IL1RL1/ST2 Protein	Mouse
GRF01951	Recombinant Mouse IL-20 Protein	Mouse

MOUSE RECOMBINANT PROTEINS

CAT.#	Description	Species
GRF00664	Recombinant Mouse IL-21 Protein	Mouse
GRF02775S	Recombinant Mouse IL-21 Protein	Mouse
GRF01079	Recombinant Mouse IL-21R/CD360 Protein	Mouse
GRF01617	Recombinant Mouse IL-22 Protein	Mouse
GRF02942	Recombinant Mouse IL-22 Protein	Mouse
GRF02928S	Recombinant Mouse IL-23/IL-12B&IL-23A Protein	Mouse
GRF01806	Recombinant Mouse IL-23A/IL-23 p19 Protein	Mouse
GRF00689	Recombinant Mouse IL-23R Protein	Mouse
GRF00772	Recombinant Mouse IL-27/IL-27A&IL-27B Protein	Mouse
GRF01898	Recombinant Mouse IL-27A Protein	Mouse
GRF01835	Recombinant Mouse IL-31 Protein	Mouse
GRF00618	Recombinant Mouse IL-33 Protein	Mouse
GRF01762	Recombinant Mouse IL-36 gamma/IL-1F9 Protein	Mouse
GRF01809	Recombinant Mouse IL-36Ra/IL-1F5 Protein	Mouse
GRF00550	Recombinant Mouse IL-36α/IL-36 alpha/IL-1F6 Protein	Mouse
GRF01416	Recombinant Mouse Leukemia inhibitory factor/LIF Protein	Mouse
GRF02989	Recombinant Mouse Lymphotactin/XCL1 Protein	Mouse
GRF01829	Recombinant Mouse Macrophage migration inhibitory factor/MIF Protein	Mouse
GRF02865	Recombinant Mouse Midkine/MDK Protein	Mouse
GRF01822	Recombinant Mouse MYDGF Protein	Mouse
GRF01943	Recombinant Mouse NCAM-1/CD56 Protein	Mouse
GRF01308	Recombinant Mouse Noggin/NOG Protein	Mouse
GRF01639	Recombinant Mouse Oncostatin-M/OSM Protein	Mouse
GRF03145	Recombinant Mouse PDGF-AA Protein	Mouse
GRF01745	Recombinant Mouse PDGF-BB Protein	Mouse
GRF01764	Recombinant Mouse Periostin/PN/POSTN Protein	Mouse
GRF01771	Recombinant Mouse Periostin/PN/POSTN Protein	Mouse
GRF01080	Recombinant Mouse Placenta growth factor/PIGF/PGF Protein	Mouse
GRF01941	Recombinant Mouse Placenta growth factor/PLGF/PGF Protein	Mouse
GRF00791	Recombinant Mouse Pleiotrophin/PTN Protein	Mouse
GRF02801	Recombinant Mouse Progranulin/PGRN/GRN Protein	Mouse
GRF01873	Recombinant Mouse RETN Protein	Mouse
GRF01807	Recombinant Mouse R-spondin-1/RSPO1 Protein	Mouse
GRF01846	Recombinant Mouse TGF-alpha Protein	Mouse
GRF01665	Recombinant Mouse Thrombopoietin/THPO Protein	Mouse

MOUSE RECOMBINANT PROTEINS

CAT.#	Description	Species
GRF00649	Recombinant Mouse Thymic stromal lymphopoietin/TSLP Protein	Mouse
GRF01853	Recombinant Mouse TIMP-1 Protein	Mouse
GRF01071	Recombinant Mouse TNF-alpha Protein	Mouse
GRF01059	Recombinant Mouse TNFRSF11B/Osteoprotegerin Protein	Mouse
GRF02184	Recombinant Mouse TNFRSF18/GITR/CD357 Protein	Mouse
GRF01074	Recombinant Mouse TNFRSF1A/TNF-R1/CD120a Protein	Mouse
GRF01078	Recombinant Mouse TNFRSF1A/TNF-R1/CD120a Protein	Mouse
GRF01375	Recombinant Mouse TNFRSF1B/TNF-R2/CD120b Protein	Mouse
GRF01395	Recombinant Mouse TNFRSF1B/TNF-R2/CD120b Protein	Mouse
GRF01324	Recombinant Mouse TNFRSF4/OX40/CD134 Protein	Mouse
GRF01325	Recombinant Mouse TNFRSF5/CD40 Protein	Mouse
GRF02134	Recombinant Mouse TNFSF11/RANKL/CD254 Protein	Mouse
GRF02821	Recombinant Mouse TNFSF12/TWEAK Protein	Mouse
GRF01753	Recombinant Mouse TNFSF13/APRIL/CD256 Protein	Mouse
GRF01909	Recombinant Mouse TNFSF13B/BAFF/CD257 Protein	Mouse
GRF01936	Recombinant Mouse TNFSF15/TL1A Protein	Mouse
GRF00713	Recombinant Mouse TNFSF4/OX40 ligand/CD252 Protein	Mouse
GRF01734	Recombinant Mouse TNFSF5/CD40 ligand/CD154 Protein	Mouse
GRF02829	Recombinant Mouse TNFSF6/FAS ligand/CD178 Protein	Mouse
GRF01864	Recombinant Mouse TNFSF7/CD27 Ligand/CD70 Ligand Protein	Mouse
GRF01916	Recombinant Mouse TNFSF8/CD30 Ligand/CD153 Protein	Mouse
GRF00766	Recombinant Mouse TNFSF9/4-1BB Ligand Protein	Mouse
GRF01060	Recombinant Mouse VEGF-A/VEGF164 Protein	Mouse
GRF01778	Recombinant Mouse VEGF-D/FIGF Protein	Mouse
GRF02818	Recombinant Mouse Vitronectin/V75/VTN Protein	Mouse
GRF00671	Recombinant Mouse/Rat Mature TGF-beta 1 Protein	Mouse
GRF00672	Recombinant Mouse/Rat Mature TGF-beta 2 Protein	Mouse/Rat
GRF02804	Recombinant Mouse/Rat VEGF-C Protein	Mouse/Rat

RAT RECOMBINANT PROTEINS

CAT.#	Description	Species
GRF01782S	Recombinant Human/Mouse/Rat mature Activin A/INHBA Protein	Human,Mouse,Rat
GRF02510S	Recombinant Human/Mouse/Rat mature BMP-2 Protein	Human,Mouse,Rat
GRF02512S1	Recombinant Human/Mouse/Rat Mature BMP-4 Protein	Human,Mouse,Rat
GRF01917	Recombinant Rat CXCL1/GRO-alpha Protein	Rat
GRF01073	Recombinant Rat CCL2/MCP-1 Protein	Rat
GRF01794	Recombinant Rat c-Kit ligand/KITLG/SCF Protein	Rat
GRF01671	Recombinant Rat CNTF Protein	Rat
GRF01847	Recombinant Rat CSF-1/M-CSF Protein	Rat
GRF01207	Recombinant Rat CSF-2/GM-CSF Protein	Rat
GRF02816	Recombinant Rat EGF Protein	Rat
GRF01858	Recombinant Rat Erythropoietin/EPO Protein	Rat
GRF01759	Recombinant Rat FGF-2/bFGF Protein	Rat
GRF01893	Recombinant Rat Follistatin/FST Protein	Rat
GRF03234	Recombinant Rat GDNF Protein	Rat
GRF01776	Recombinant Rat Hepatocyte growth factor/HGF Protein	Rat
GRF01836	Recombinant Rat IFNA1 Protein	Rat
GRF01075	Recombinant Rat IFN-gamma Protein	Rat
GRF01739	Recombinant Rat IFN-gamma Protein	Rat
GRF01736	Recombinant Rat IL-1 alpha Protein	Rat
GRF01788	Recombinant Rat IL-1 beta Protein	Rat
GRF03252	Recombinant Rat IL-10 Protein	Rat
GRF01929	Recombinant Rat IL-18 Protein	Rat
GRF01817	Recombinant Rat IL-1Ra/IL-1F3/IL-1RN Protein	Rat
GRF01769	Recombinant Rat IL-2 Protein	Rat
GRF01756	Recombinant Rat IL-21 Protein	Rat
GRF01789	Recombinant Rat IL-3 Protein	Rat
GRF01874	Recombinant Rat IL-4 Protein	Rat
GRF01567	Recombinant Rat IL-4R alpha/CD124 Protein	Rat
GRF01849	Recombinant Rat IL-5 Protein	Rat
GRF01741	Recombinant Rat IL-6 Protein	Rat
GRF03223	Recombinant Rat IL-6RA/CD126 Protein	Rat
GRF01721	Recombinant Rat IL-7 Protein	Rat
GRF01664	Recombinant Rat IL-9 Protein	Rat
GRF01892	Recombinant Rat Leukemia inhibitory factor/LIF Protein	Rat
GRF01844	Recombinant Rat Oncostatin-M/OSM Protein	Rat

RAT RECOMBINANT PROTEINS

CAT.#	Description	Species
GRF01896	Recombinant Rat Sonic hedgehog N-product/SHH Protein	Rat
GRF01901	Recombinant Rat Thrombopoietin /THPO / TPO Protein	Rat
GRF01322	Recombinant Rat TNF-alpha Protein	Rat
GRF01908	Recombinant Rat TNF-alpha Protein	Rat
GRF01323	Recombinant Rat VEGF-A/VEGF164 Protein	Rat
GRF01658	Recombinant Rat VEGFR-2/KDR/CD309 Protein	Rat

Cell Culture Flasks

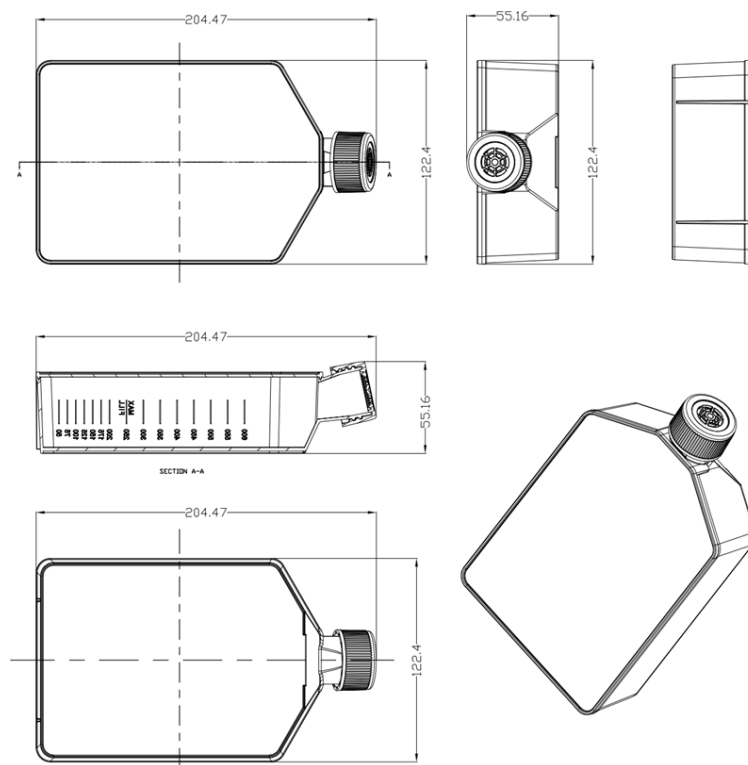
The FMB Cell culture flasks are specifically designed for successful growth and propagation of cells.



► Product Features

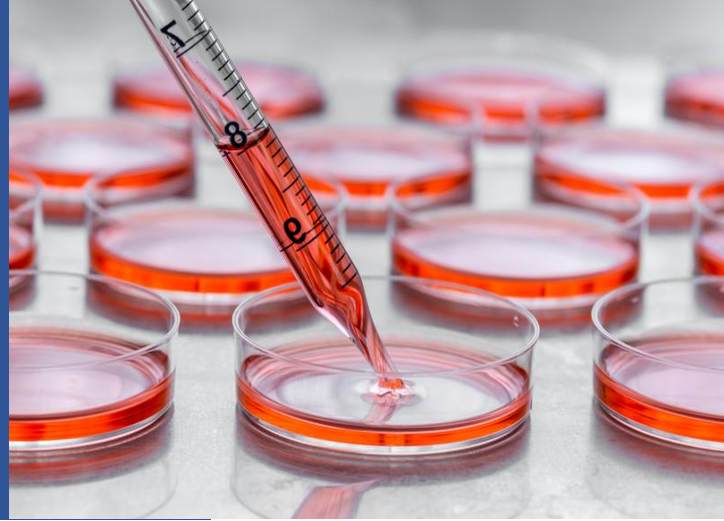
- Made of highly transparent polystyrene material, the light transmittance of the cell flask reaches 90%;
- After TC treatment, it is suitable for the culture of adherent cells and semi-adherent cells;
- Electron beam sterilized, no DNA enzyme, no RNA enzyme, no pyrogen (no endotoxin).
- All the flasks have a vented filter cap
- The bottle mouth has a curved angle for easy pipetting. The bottleneck has a frosted design for labeling. There is a volume scale on the bottle side for observing the liquid volume.

Cat.No.	Volume	Description	Packing
FS-25F	50 ml	25 cm ² Cell Culture Flask, TC-treated, Vented	200 pcs/Bag
FS-75F	150 ml	75 cm ² Cell Culture Flask, TC-treated, Vented	100 pcs/Bag



Cell Culture Dishes

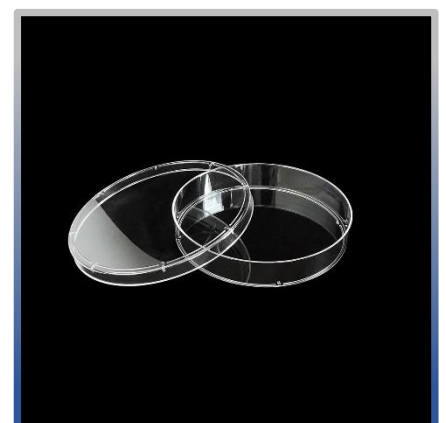
Cell culture dishes are containers specifically designed to support the growth and propagation of cells in culture. Dishes with pre-treated surfaces allow the adhesion of anchor-dependent cells, while untreated dishes support the culture of suspension cells.



▶ Product Features

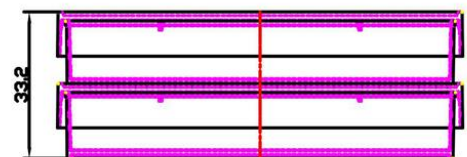
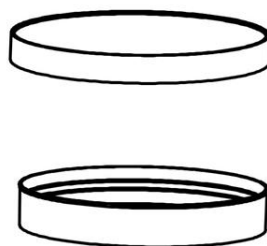
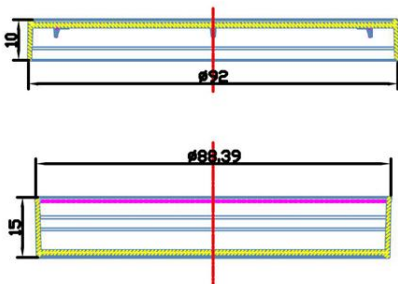
- Made of highly transparent polystyrene material, after TC treatment, it is suitable for the culture of adherent cells and semi-adherent cells;
- The bottom design is uniform and flat, and the observed image is clear and not deformed

Cat.No.	Size	Description	Packing
FS-CCD60	60 mm	Cell culture dish,PS,TC treated, DNase&RNase, free,sterile	500 pcs
FS-CCD100	100 mm	Cell culture dish,PS,TC treated, DNase&RNase, free,sterile	500 pcs



Petri Dish

Cat.No.	Size	Description	Packing
FS-PTR90	90 mm	90mm Petri dish, Not TC treated, DNase&RNase, free,sterile	500 pcs/Bag



Cell Culture Plates

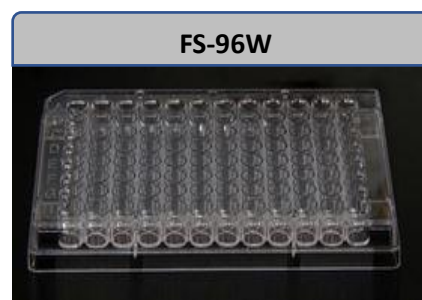
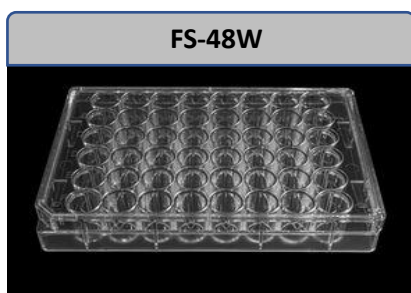
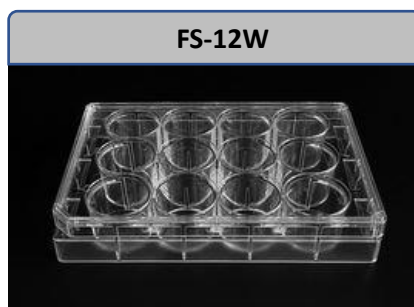
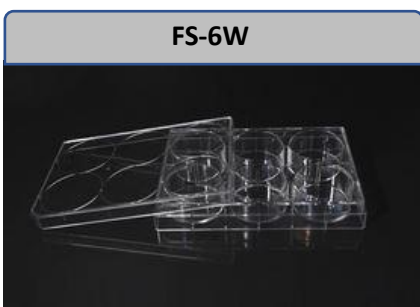
Cell culture plates are disposable or reusable shallow containers specifically designed to support the growth and propagation of cells in culture. Plate with TC-treated surfaces allow the adhesion of anchor-dependent cells.



▶ Product Features

- Made of highly transparent polystyrene material, the light transmittance of the cell culture plate reaches 90%;
- After TC treatment, it is suitable for the culture of adherent cells and semi-adherent cells;
- The bottom design is uniform and flat, and the observed image is clear and not deformed;
- The plate cover is equipped with a condensation ring, which can effectively prevent the contamination of the culture medium or evaporation loss and reduce the edge

Cat.No.	Well	Description	Packing
FS-6W	6	TC treatment, Flat bottom, Highly transparent polystyrene	50/Box
FS-12W	12	TC treatment, Flat bottom, Highly transparent polystyrene	50/Box
FS-24W	24	TC treatment, Flat bottom, Highly transparent polystyrene	50/Box
FS-48W	48	TC treatment, Flat bottom, Highly transparent polystyrene	50/Box
FS-96W	96	TC treatment, Flat bottom, Highly transparent polystyrene	50/Box



Confocal Dishes

Fisher confocal dishes are available with two glass bottom size of 15mm and 20mm. Ideal for use in fluorescent microscope experiments, confocal microscopy, and phase-contrast microscopic experiments.

► Product Features

- The borosilicate glass is flat and with high purity, thickness is uniform, few bubble.
- Dish size:35mm
- Thickness of glass bottom:0.13-0.16mm and 0.16-0.19mm
- Medical grade shadowless glue, highly transparent achromatic, non-toxic to cells and has high bonding strength
- Suitable for all for all living cell examinations
- Dish surface is smooth and free from striation to maximize usable area for growth
- Sterilized by gamma irradiation
- Special bottom design for easy grip.
- High quality cover glass of standard thickness 0.16-0.19 mm

Cat.No.	Dish Size (mm)	Pore Size (mm)	Description
CD-15FS	35	15	Not Treated
CD-20FS	35	15	Not Treated
CD-15C	35	20	Surface Treated
CD-20C	35	20	Surface Treated



15 mm



20 mm

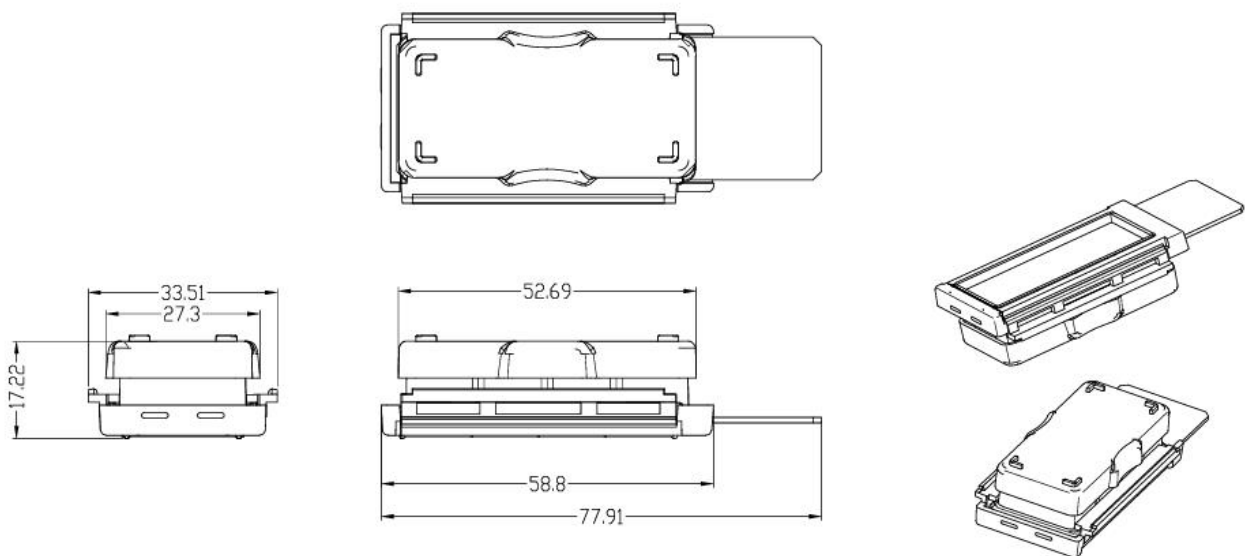
Chamber Slides

The chamber slide can be used directly for cell culture, staining and observation by providing a polystyrene culture chamber that is attached to a standard microscope slide.



- Culture, fixation. And maintenance can be done in one device;
- Detachable design, the side of the medium can be removed with a slight break;
- Separate compartments to avoid cross-contamination between compartments;
- Chamber cover is easy to gnp design and easy to operate;
- TC treatment on the medium is conducive to culture adhesion;

Cat.No.	Growth Area	Volume	Description	Packing
FSCS2	4.55 cm ²	2.5 – 5.5 ml	Cell Culture Slide, 2 chamber,PP fixture	48 Pcs/Box
FSCS8	0.98 cm ²	0.2 – 0.6 ml	Cell Culture Slide, 8 chamber,PP fixture	48 Pcs/Box



Serological Pipette

Serological Pipette, is mainly used for large volume pipetting operations in biological experiments such as cell culture and tissue culture, and can be used with electronic pipettes and other automation platforms. A variety of volumes are available, and different volume specifications correspond to different color for easy identification. Special filtered design can protect your samples and instruments from contamination.



► Product Features

- Made of medical-grade polystyrene (PS), has high transparency;
- Available in various volume including 1 ml, 2 ml, 5 ml, 10 ml, 25 ml, 50 ml;
- Bidirectional graduation design, easy-to-read fluid volumes and dispensing amounts;
- Precise pipetting with dispensing accuracy within $\pm 2\%$;
- High quality filters, effectively isolate aerosol contamination;
- Smooth and transparent inner surface, has good hydrophobicity;
- Different colors correspond to different volumes, easy to distinguish;
- Sophisticated manufacturing techniques and mold design, to guarantee product quality consistency;
- Individually wrapped with either papers/plastic, easy to use;
- E-Beam irradiation sterilized, DNase/RNase/Pyrogen free

Cat.No.	Volume	Color	Graduation	Description	Packing
SP-1005	1 ml	Yellow	1/100ml	Serological Pipettes, Yellow Ring Mark, Pre-Sterilized, Individuai Package, 1 ml	200 Pcs/Box
SP-2005	2 ml	Green	1/100ml	Serological Pipettes, Green Ring Mark, Pre-Sterilized, Individuai Package, 2 ml	200 Pcs/Box
SP-3005	5 ml	Blue	1/100ml	Serological Pipettes, Blue Ring Mark, Pre-Sterilized, Individuai Package, 5 ml	200 Pcs/Box
SP-4005	10 ml	Orange	1/100ml	Serological Pipettes, Orange Ring Mark, Pre-Sterilized, Individuai Package, 10ml	200 Pcs/Box
SP-5005	25 ml	Red	1/100ml	Serological Pipettes, Red Ring Mark, Pre-Sterilized, Individuai Package, 25 ml	100 Pcs/Box
SP-6005	50 ml	Purple	1/100ml	Serological Pipettes, Purple Ring Mark, Pre-Sterilized, Individuai Package, 50 ml	100 Pcs/Box



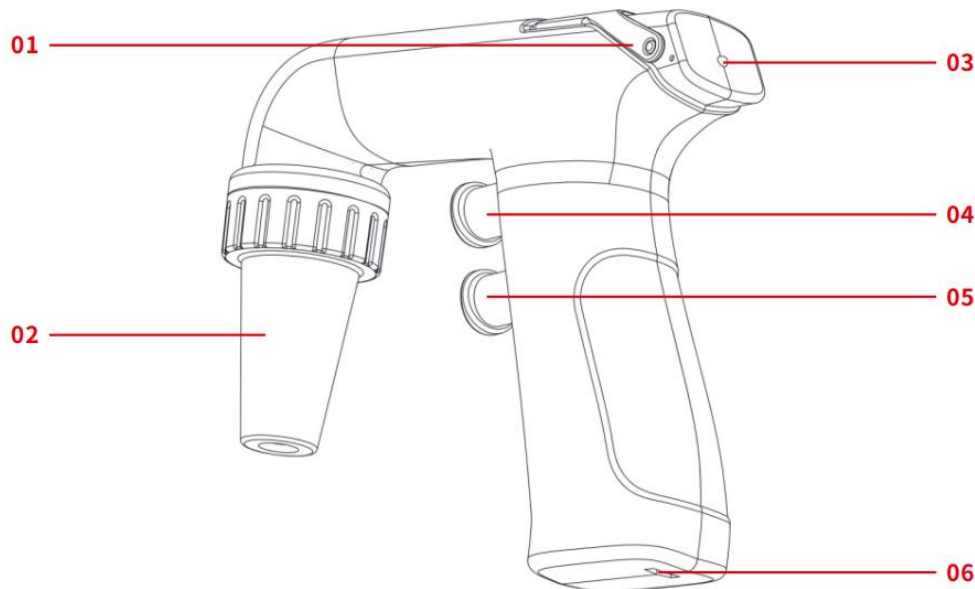
Electronic Pipette SPIP-DE50

This product adopts an integrated design, with a compact and convenient shape. It can be compatible with plastic/glass serological pipettes and Pasteur pipettes ranging from 1mL to 100mL, and the liquid aspiration and drainage speed can be adjusted based on the pressure applied (including gravity drainage).



▶ Product Features

- It is compatible with various commonly used serological pipettes.
- One button for aspiration and one button for drainage, allowing the adjustment of aspiration/drainage speed by adjusting the pressure applied. Releasing the button stops aspiration/drainage. Additionally, the pressure-sensitive variable speed control makes operation extremely convenient.
- LED indicators display the battery status of the pipette, providing a simple and clear indication.
- It is compatible with a hydrophobic filter membrane with a pore size of $0.22 \mu\text{m}$ to prevent backflow and protect the device.
- The large capacity lithium battery provides long-lasting battery life.
- Type-C port for charging, providing strong compatibility.
- It comes with a built-in stand for convenient placement.
- It supports both gravity and motor-driven drainage modes, allowing easy switching between the two.



01 Stand

02 Adaptor

03 LED indicator

04 Aspiration

05 Drainage

06 Type-C charging port